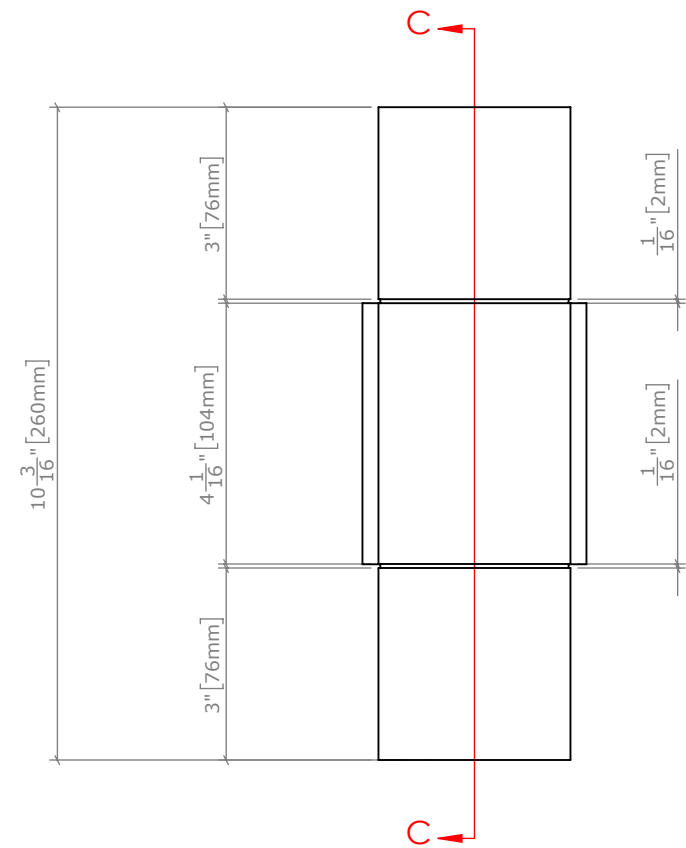
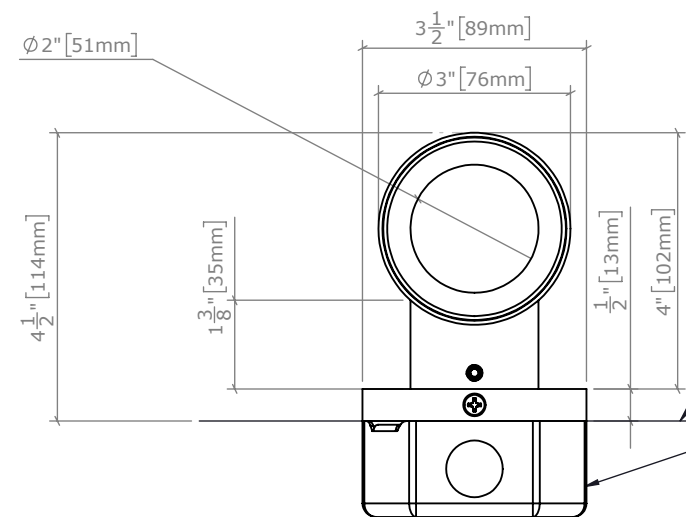
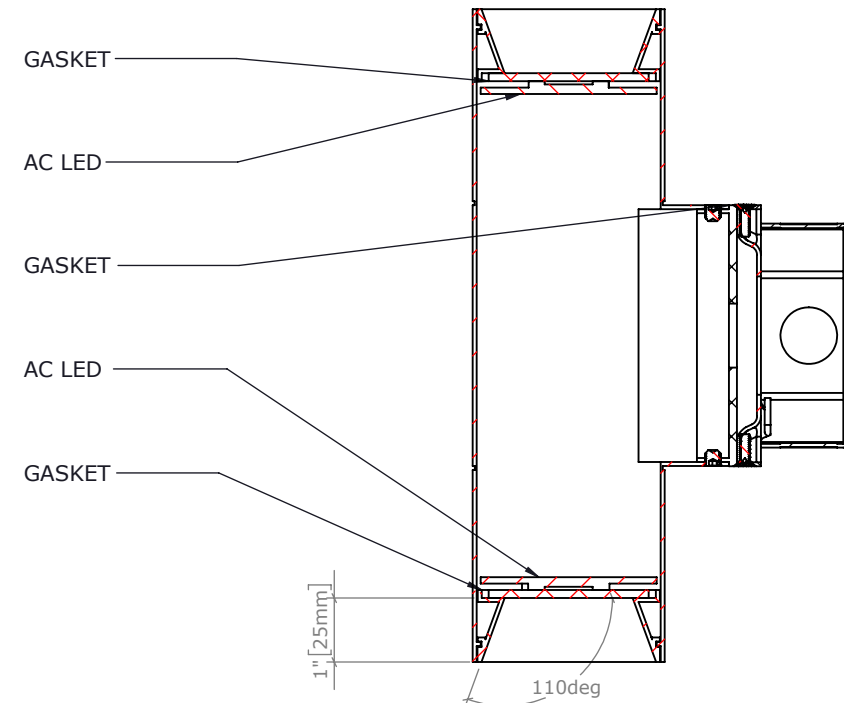


TUBO DIRECT - WALL SCONCE - (UP & DOWN LIGHT)
LGN-W61-LED-CHR
QTY:20

| REVISIONS | | |
|-----------|---------------------|------------|
| REV. | DESCRIPTION | DATE |
| 0 | ISSUED FOR APPROVAL | 2021-04-06 |



SECTION C-C
SCALE 1 : 3



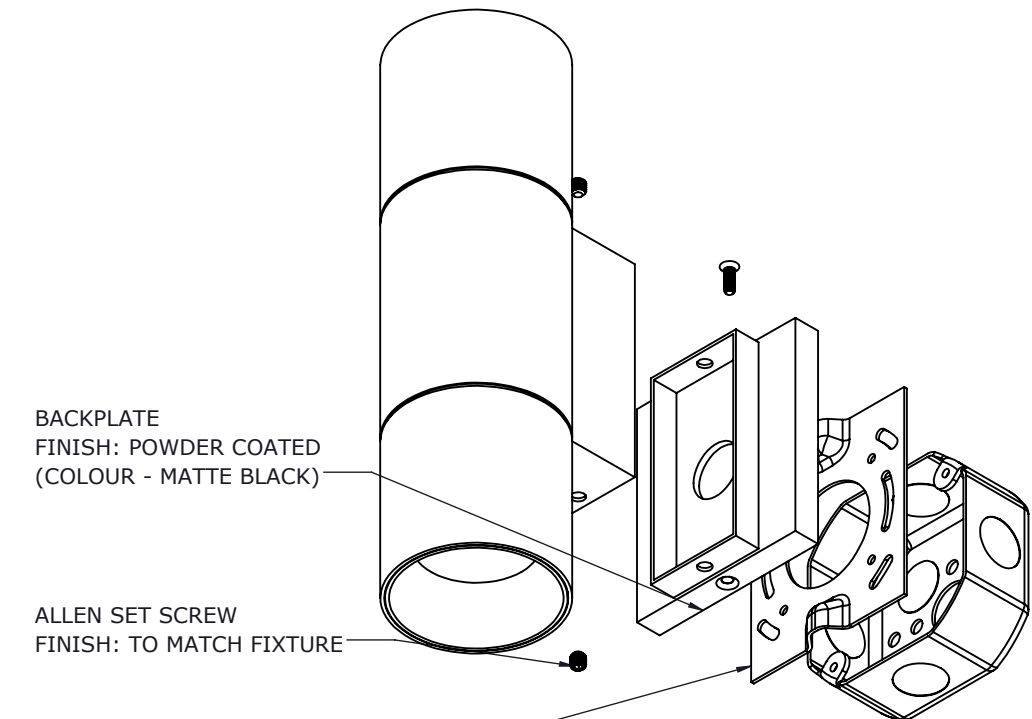
ALUMINUM BODY STRUCTURE
FINISH: POWDER COATED
(COLOUR - MATTE BLACK)

GLASS DIFFUSER
FINISH: CLEAR

DIFFUSER TRIM
FINISH: POWDER COATED
(COLOUR - MATTE BLACK)

FINISHED WALL

J BOX
(BY OTHERS)



BACKPLATE
FINISH: POWDER COATED
(COLOUR - MATTE BLACK)

ALLEN SET SCREW
FINISH: TO MATCH FIXTURE

MOUNT PLATE

COUNTER SUNK PHILLIPS SCREW
FINISH: TO MATCH FIXTURE

LAMPING:
AC LED BOARD 7W, 700LM, 3000K, CRI 90
TRIAC DIMMING

NOTES:
TRIAC DIMMING
FINISHES AVAILABLE IN BLACK, WHITE, CHROME
IP65 RATED

PROJECT: TUBO

LAMP: AC LED 7W, 700LM, 3000K, CRI 90

DWG:OC24238

SALES: FL

CERT.: ETL

BY: AA

MODEL: W61

WEIGHT: ±7LBS

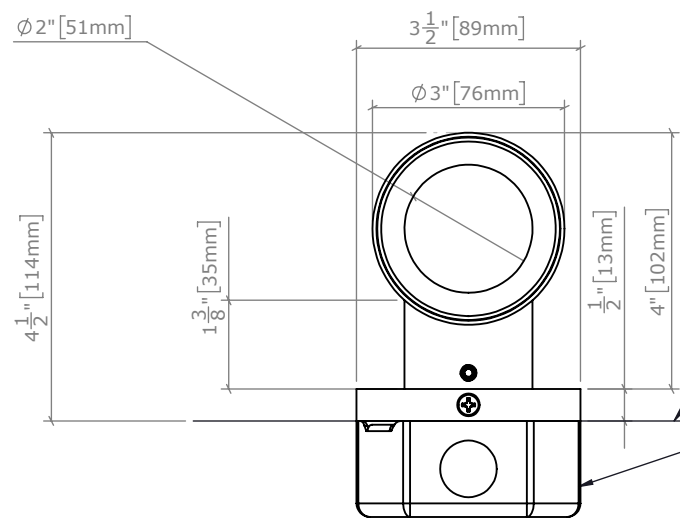
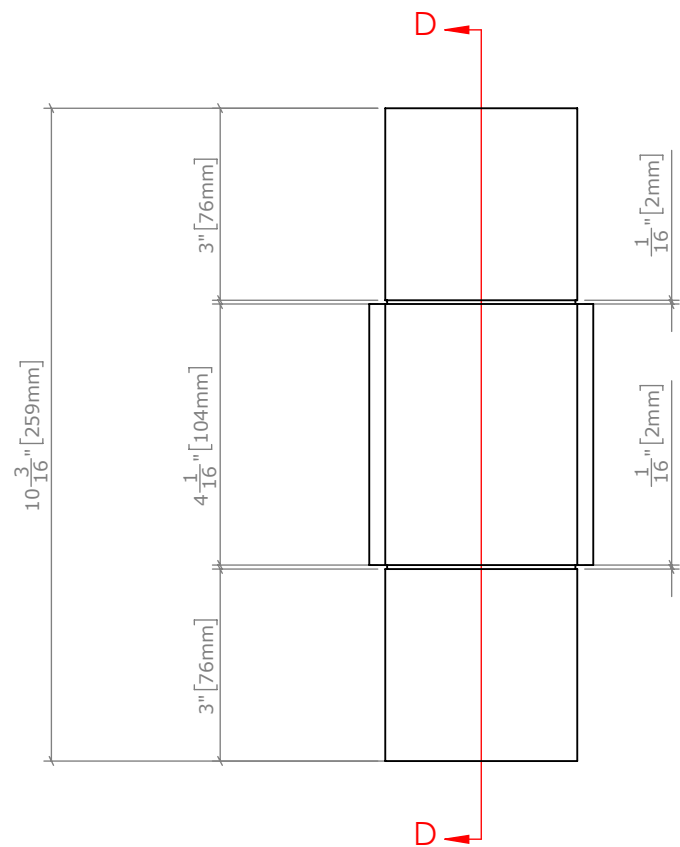
DATE: 2021-04-06

VOLT:120V

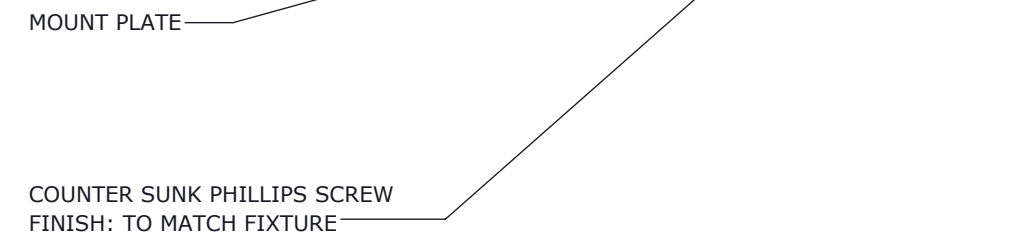
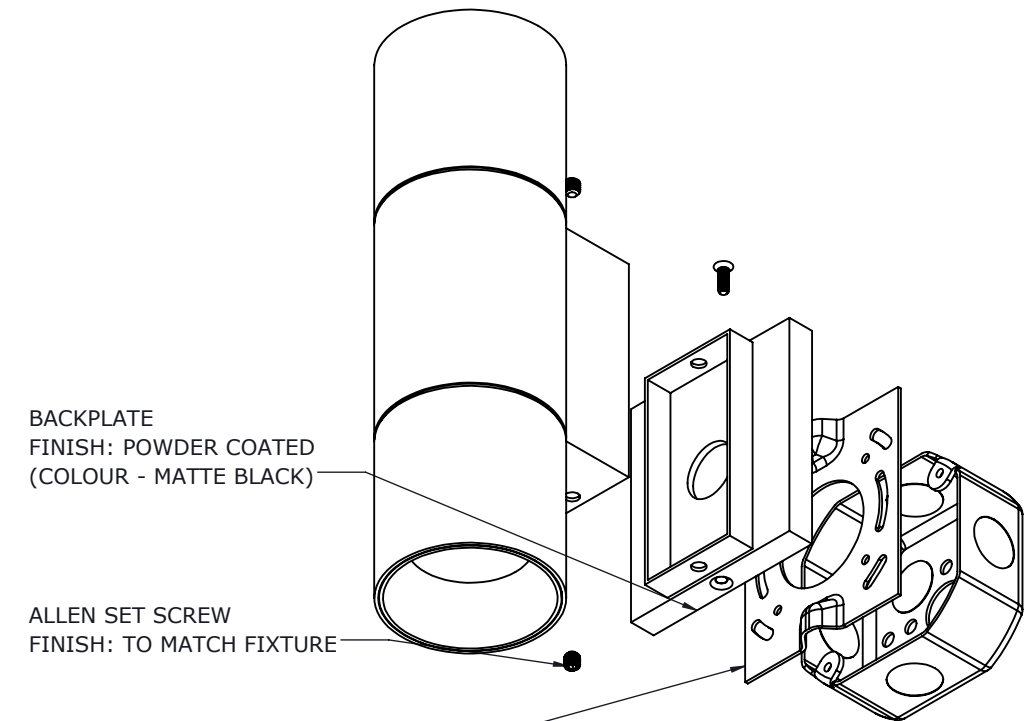
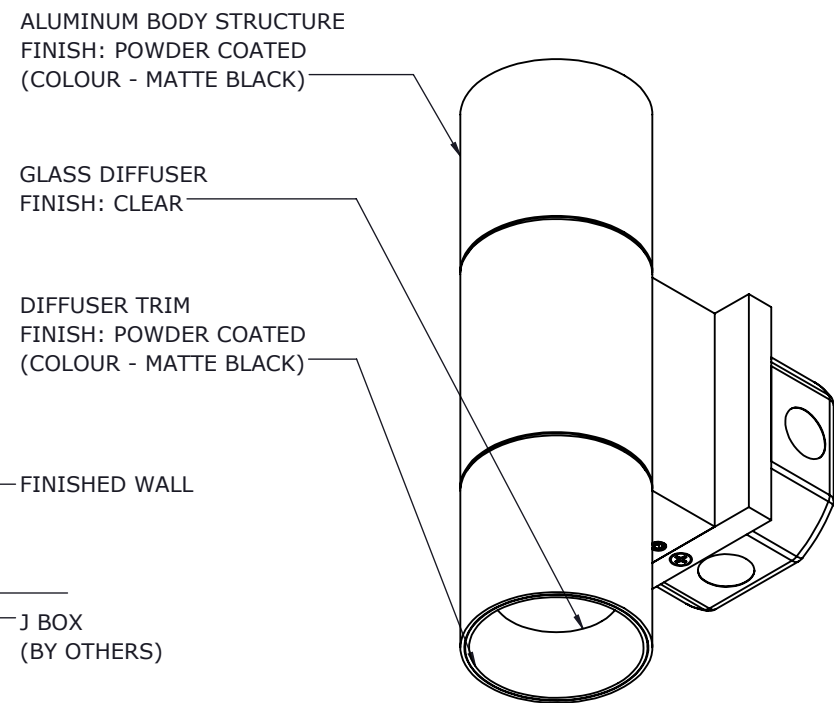
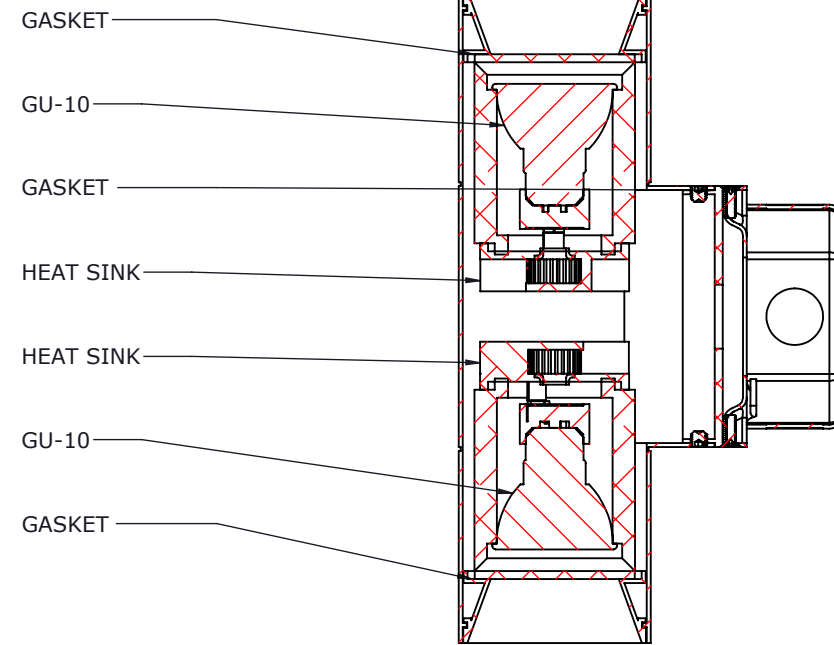
SCALE: 1:3

TUBO DIRECT - WALL SCONCE - (UP & DOWN LIGHT)
LGN-W61-GU10-CHR
QTY:20

| REVISIONS | | |
|-----------|---------------------|------------|
| REV. | DESCRIPTION | DATE |
| 0 | ISSUED FOR APPROVAL | 2021-04-06 |



SECTION D-D
SCALE 1 : 3



LAMPING: 2 X GU-10 BASE 50W
 SUGGEST: GU-10 BASE 50W, 500LM, 3000K, CRI90
 DIMMABLE BULB
 TRIAC DIMMING

| | | |
|--------------------------|------------|------------------|
| PROJECT: TUBO | SALES: FL | MODEL: W61 |
| LAMP: 2 X GU-10 BASE 50W | CERT.: ETL | WEIGHT: ±7LBS |
| DWG:OC24238 | BY: AA | DATE: 2021-04-06 |
| | | SCALE: 1:3 |

NOTES:
TRIAC DIMMING
FINISHES AVAILABLE IN BLACK, WHITE, CHROME
IP65 RATED